

# Century SHARP

## High Efficiency Traction Chargers

### Century SHARP 80V 80A CG53235

SHARP chargers are a budget range of chargers offered by Century which incorporate specialised charging algorithms suitable for all lead acid batteries in traction applications. With high efficiency power conversion technology and wide input voltage range, these chargers are ideally suited for Australian conditions.

Designed to recharge valve regulated (sealed) and vented (flooded) lead acid batteries in a variety of Ah capacities. Integrated with an industrial microprocessor using Century's specified algorithms, these chargers have the benefit of delivering a fully charged battery quicker while minimising the effects that some standard chargers can have.

The use of high frequency power conversion can reduce the amount of input energy consumed for charging, with a high level of control of the power applied to the battery.

Using advanced technology means that the chargers are lighter weight to conventional thyristor controlled chargers; giving operators the choice of wall mounting these chargers to prevent the risk of damage from impact from other equipment as well as increasing floor space utilisation.



### Features and Benefits

- Compliant to relevant Australian Standards: Century ensures full compliance with all relevant standards applicable to traction chargers.
- Industry leading charging algorithms: Century specified charging algorithms improve charging time and reduce physical wear on the battery, such as increase water consumption.
- Alarm indicators: Charger indicates to the operator issues with the charging condition.
- High frequency power conversion: With >90% efficiency power conversion from input power to output power, reduces the amount of power consumed to recharge batteries relative to SCR technologies.

# Century SHARP

Century SHARP 80V 80A CG5325

## ELECTRICAL INPUT SPECIFICATIONS

VAC Input	3P 400Vac ±10%
Input Current (Max I)	12.4A (@400VAC)
Input Frequency	47-63Hz
Power Socket Required	56C420
Power Factor	0.95 at rated power
Efficiency	93% at rated power

## ELECTRICAL OUTPUT SPECIFICATIONS

Technology	High Frequency Conversion(Soft Start)
Nominal VDC (Programmable)	80VDC (48VDC; 72VDC)
VDC Output Range	0.9 to 2.8VDC per cell
Output Power (kW)	7.1kW (2.4VPC @400VAC)
Max Output Current (A)	80A
Output Ripple	<5% RMS of Nominal DC Voltage & <10% RMS ripple current at 100% load
Output Accuracy Setting	VDC output ±0.5% / Current output ±2%

## ENVIRONMENTAL SPECIFICATIONS

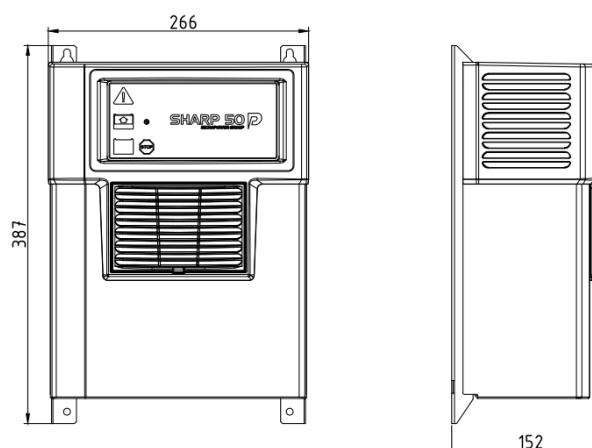
Environmental Protection	Conformal coating
Operational Temperature (Ambient)	0 - 40 °C
Storage Temperature	-25 - 60 °C
Humidity	RH <95% Non-condensing
Cooling	Fan cooled
IP Rating	IP20

## STANDARDS

Emissions	EN61000-6-3
Immunity	EN61000-6-2
Safety	EN60335-1 & EN60335-2-29

## MECHANICAL

Weight (kgs)	9
Height (mm)	387
Width (mm)	266
Depth (mm)	152



An affiliated business of the GS Yuasa Corporation, Century Yuasa has over 80-years of supplying a range of stored energy solutions to the Australian market. An established network of sales and distribution offices throughout Australia and New Zealand has seen the business gain the trust and respect from its customers by focusing on quality products and exceptional customer service. The portfolio within Century Yuasa includes a wide range of stored energy products and services, as well as identifiable brands and unique technologies for automotive, materials handling and stationary power applications. Directly maintaining and operating two manufacturing centres in Australia and employing some 500 people, Century Yuasa continues the leading Australian manufacturer of stored energy products.

All reasonable care has been taken to ensure that the data presented in this document is accurate for the purpose for which it is presented. Century Yuasa reserves the right to make changes to its products and information contained in this document without notice, and shall not be held liable for any loss or damage claimed to have arisen as a result of the use of this material.